

# Quiet Saturn

Sound Attenuated

1500-3200KW, Low and Medium Voltage Load Bank

Sound attenuated, "Quiet", version of Simplex Saturn Load Bank.

- 1500-3200kw
- to 690vAC, Low Voltage
- to 15kV, Medium Voltage

See pages 2-3 for Dimensional Data.

See page 4 for Sound Data.

Typical Low Voltage Quiet Saturn Load Bank



Typical Medium Voltage Quiet Saturn Load Bank



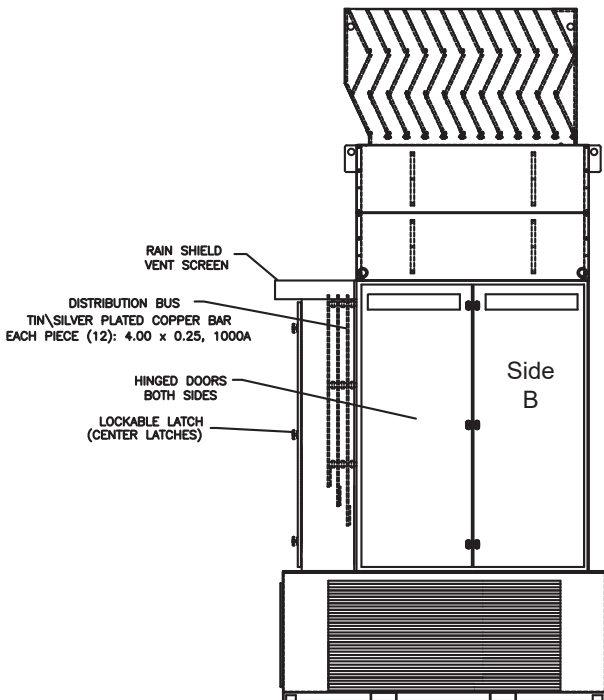
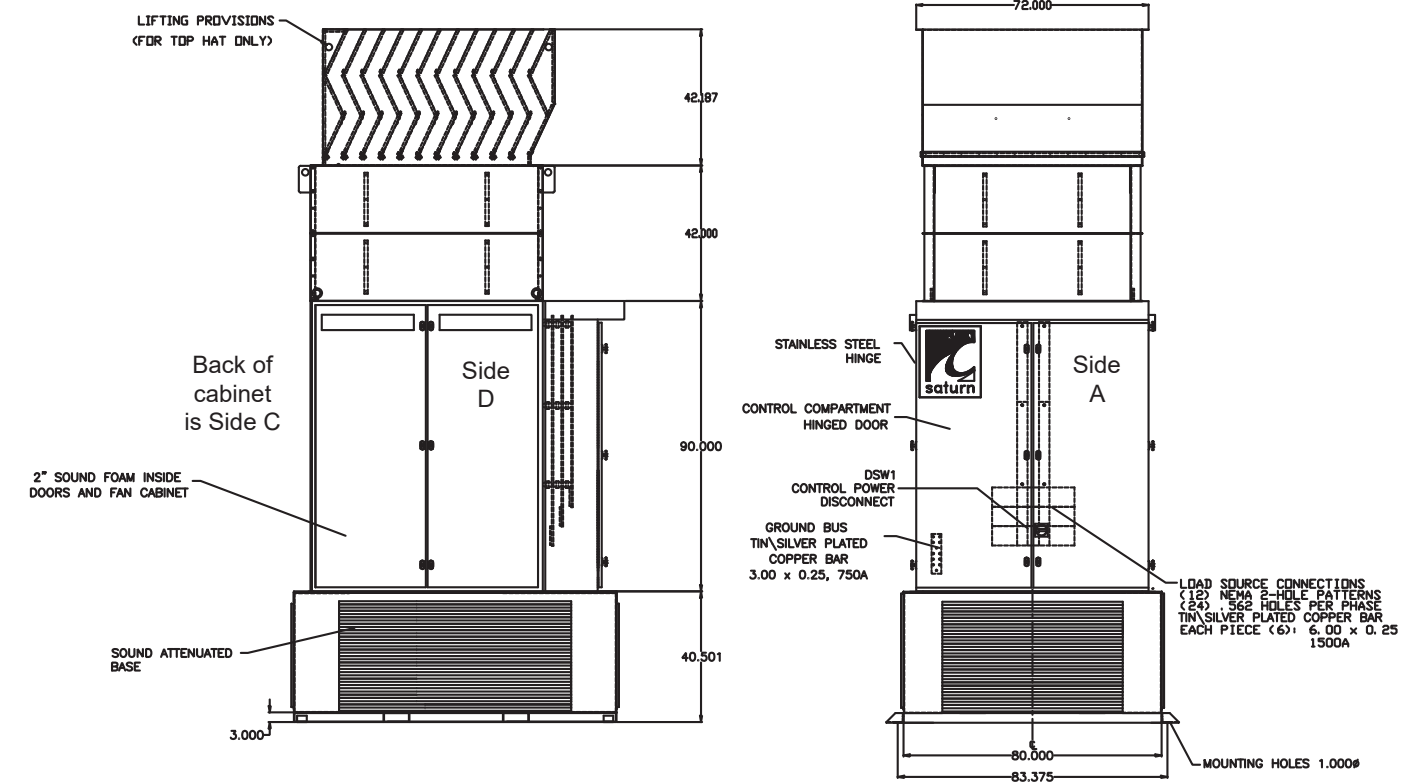
# Quiet Saturn

Sound Attenuated

1500-3200KW, Low & Medium Voltage Load Bank • Page 2

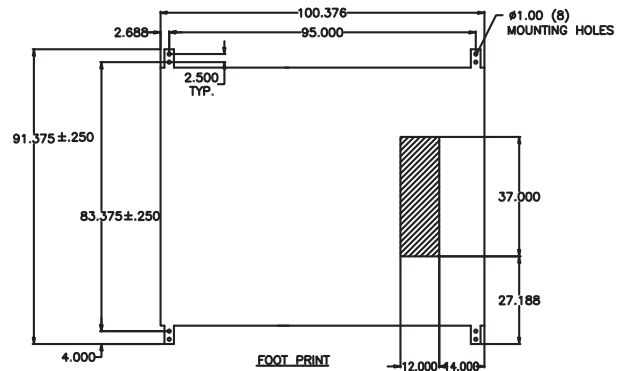
# SIMPLEX®

## Low Voltage Quiet Saturn

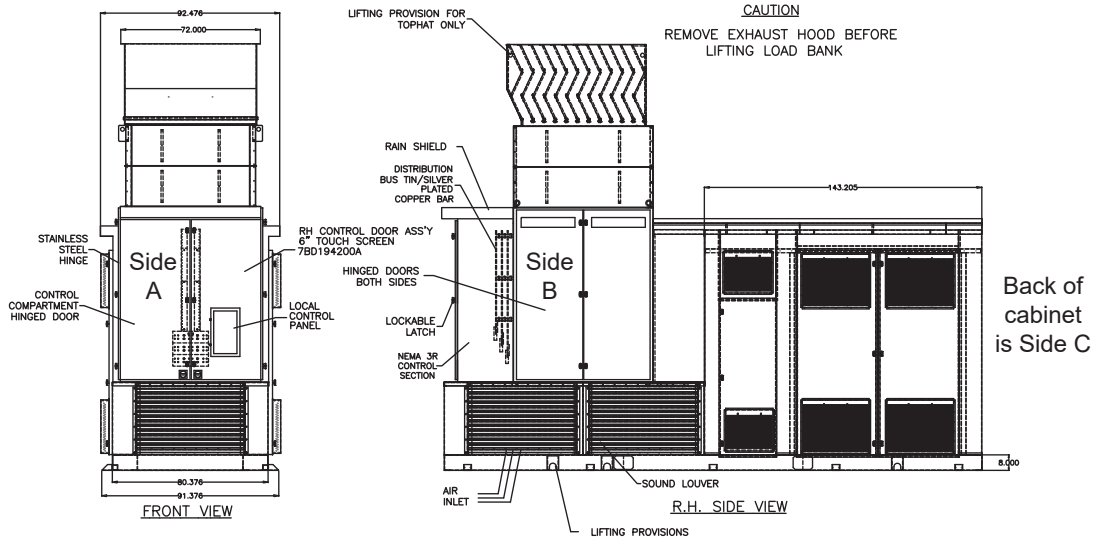


### NOTES:

1. BOTTOM OF CONTROL COMPARTMENT AVAILABLE FOR CONDUIT ENTRY.
2. CONSTRUCTION: ALL WELDED FORMED STEEL FRAME, DOORS, PANELS AND SKID. SKID AND STRUCTURAL MEMBERS 7GA HRS, OUTER SHELL 12GA HRS AND HINGED DOORS 14GA HRS. ALL HINGES, EXTERIOR FASTENERS, AND EXTERIOR HARDWARE ARE STAINLESS STEEL. EXHAUST HOOD IS HRS, HIGH TEMP. BLACK POWDER COATED EXTERIOR, ALUMINIZED INTERIOR BAFFLES, RIVETED
3. APPROXIMATE SHIPPING WEIGHT:  
7,000 LBS. TOTAL UNIT  
5,800 LBS. LOAD BANK  
1,200 LBS. TOP HAT
4. SURFACE PREPARATION: ABRASIVE CLEANED  
FINISH COLOR: ASA 49 GRAY
5. SPREADER TO BE USED FOR CRANE LIFTING. SPREADER TO BE FURNISHED BY FIELD CONTRACTOR.
6. TOP HAT TO BE FACTORY ASSEMBLED, SHIPPED SEPARATELY AND INSTALLED AFTER MAIN CABINET INSTALLATION.
7. SIMPLEX RECOMMENDS A MINIMUM 6 FT. OF CLEARANCE ON ALL SIDES OF THE LOAD BANK.
8. LOAD BANK RATING: UL 8719, ENVIRONMENTAL TYPE 3R

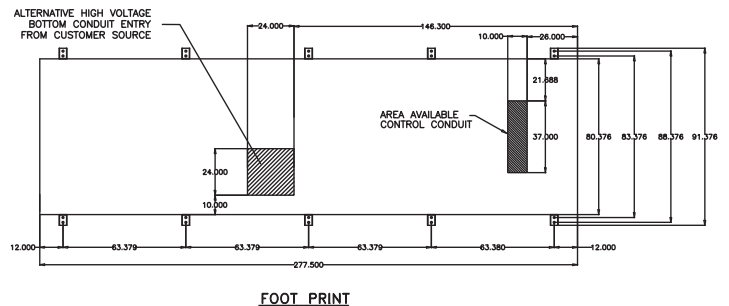
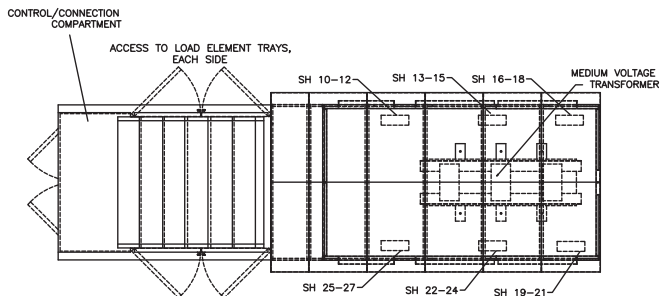
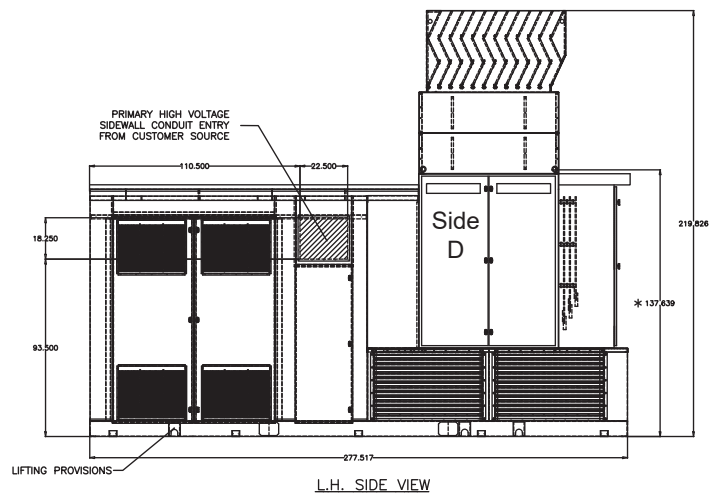


## Medium Voltage Quiet Saturn



**NOTES:**

1. BOTTOM OF CONTROL COMPARTMENT AVAILABLE FOR CONDUIT ENTRY.
2. CONSTRUCTION: ALL WELDED FORMED STEEL FRAME, DOORS, PANELS AND SKID. SKID AND STRUCTURAL MEMBERS 7GA HRS, OUTER SHELL 12GA HRS AND HINGED DOORS 14GA HRS. ALL HINGES, EXTERIOR FASTENERS, AND EXTERIOR HARDWARE IS STAINLESS STEEL.
3. SURFACE PREPARATION: ABRASIVE CLEANED OR CHEMICALLY CLEANED AND PHOSPHATIZED FINISH COLOR: ASA 49 GRAY
4. APPROXIMATE SHIPPING WEIGHT: 30,000 LBS. TOTAL UNIT  
 : 28,300 LBS. SOUND BASE, TRANSFORMER LOAD BANK.  
 : 1,700 LBS. TOP HAT
5. MAXIMUM DOOR SWING IS 40.000 INCHES
6. UNIT IS BROKEN DOWN FOR SHIPPING PURPOSES  
 A. TOP HAT  
 B. LOAD BANK MODULE WITH TRANSFORMER BOX AND INTAKE BASE
- \*7. APPROXIMATE EQUIPMENT SHIPPING HEIGHT, 137.639"



# Quiet Saturn

Sound Attenuated

1500-3200KW, Low & Medium Voltage Load Bank • Page 4



## 1500-2000KW Sound Data

POINT	ELEVATION	PERIMETER	dBA	Frequency Data, dB										
				16 Hz	31.5 Hz	63 Hz	125 Hz	250 Hz	500 Hz	1 kHz	2 kHz	4 kHz	8 kHz	16 kHz
Ambient-B1	5'	75'	58	64.1	63.2	65.1	60.3	54.4	51.5	52.7	52.3	48.2	42	35.7
Ambient-B2	5'	75'	52	66.4	64.5	77	57.8	56.9	60.7	56.7	49.1	45	37.3	34.4
A, 75'	5'	75'	72	66.2	68.2	74.9	85	76	67.7	64	55.5	49.4	40.3	34.2
B, 5'	5'	5'	82	75.2	74.7	83.2	97.8	83.1	75.5	68.8	59.7	57.4	50.1	41.2
B-1, 75'	5'	75'	77.5	63.9	67.6	78.7	94.6	74.1	68.6	64.7	56.5	49.6	43.2	34.2
B-2, 75'	5'	75'	78	64.4	68.5	79	94.9	74.3	69.5	65.4	57.5	51.5	44.4	35
C, 75'	5'	75'	65.5	66.2	65.8	70.2	74.3	70.3	61.8	56.5	48.8	41.2	35.1	34.2
D-1, 75'	5'	75'	73	70.8	69.1	77.7	86.6	74.2	68.6	64.9	56.8	50	43.8	34.3
D-2, 75'	5'	75'	73	72.3	69.9	79.7	87.2	74.6	68.5	65	57.8	51.8	44.9	34.6

## 2500-3200KW Sound Data

POINT	PERIMETER	dBA	Frequency Data, dB										
			16 Hz	31.5 Hz	63 Hz	125 Hz	250 Hz	500 Hz	1 kHz	2 kHz	4 kHz	8 kHz	16kHz
A, 5'	5'	79.5	87	82.8	83.9	90.8	82.6	75.8	69.9	65.1	61.5	55.4	45.8
B, 5'	5'	82	82.6	80	86.6	91.5	86.3	77.7	73.8	63.2	62.2	54.7	45.1
B, 25'	25'	75	69.7	71.2	79.3	86.4	77.5	69.1	67.4	59.3	53	46.4	37.5
B, 50'	50'	71	70.8	68.6	77.7	78	73.2	68.9	64.7	57.9	50.8	42.2	34.4
C, 5'	5'	80.5	75.6	78	84	89	82.9	78.3	74	67.7	63.3	55.9	46.5
C, 25'	25'	74	67.6	69.5	78.7	84.9	76.3	70.5	66.2	59.9	53.8	47.4	39.1
C, 50'	50'	69.5	65.2	67.1	75.4	78.7	70.7	68.1	62.4	56.7	49.8	41.8	34.2
D, 5'	5'	81	81.1	81.4	87.1	91	85.5	77.6	72.6	63.4	61.6	54.6	45.1
D, 25'	25'	76	78.4	74.4	80.3	88.8	77.3	70.6	68.8	60.9	53.3	46.1	37.4
D, 50'	50'	70.5	77	71	77.4	82.3	72	66.8	63.4	56.6	49.4	40.8	34.4
B, 5'	AMBIENT	62	68.3	67.1	74.7	66.6	58.2	58	57.1	52.9	44.1	34.9	34.5

Note:

Sound data listed was taken from measurements made in an open field environment. If there are reflective surfaces in the sound field at the installation site, then reflected sounds will likely result in higher measured sound levels. If there are no reflective surfaces, there may be lower measured sound levels.

See pictorial drawings on previous pages for locations of the data points.